

interfom

AUTHOR



ALUMINUM DOORFRAMES

MINIMALISM AND
FUNCTIONALITY IN
THE INTERIOR DESIGN



TABLE OF

2 3	IG AD 5700 WOODEN DOOR
4 5	IG AD 5700 GLASS DOOR
6 7	IG AD 5700 ALUMINUM FRAME
8 9	IG AD 5700 "Z" WOODEN DOOR
10 11	IG AD 5700 "Z" GLASS DOOR
12 13	IG AD 5700 "Z" ALUMINUM FRAME
14 15	IG AD 5700 "Z" FIXED GLASS
16 17	IG AD 5700 "T" DOOR/PARTITION
18 19	INVISIBLE WOODEN DOOR
20 21	INVISIBLE GLASS DOOR
22 23	INVISIBLE ALUMINUM FRAME
24 25	MINI GLASS DOOR
26 27	MINI FIXED GLASS
28 29	MINI FRAME
30 31	KLIK GLASS PARTITIONS
32 33	INTERFOM ABOUT US

ALUMINUM DOORFRAMES
MINIMALISM AND FUNCTIONALITY
IN THE INTERIOR

We are presenting to you a part of our product range that is the result of our long experience in working on the interior equipment and participating in many interior fitting projects.

The presented systems are the result of work of our design office. A part of our products has been patented. Elegance and modularity are their main features. So far, they have been installed in many residential and business premises.



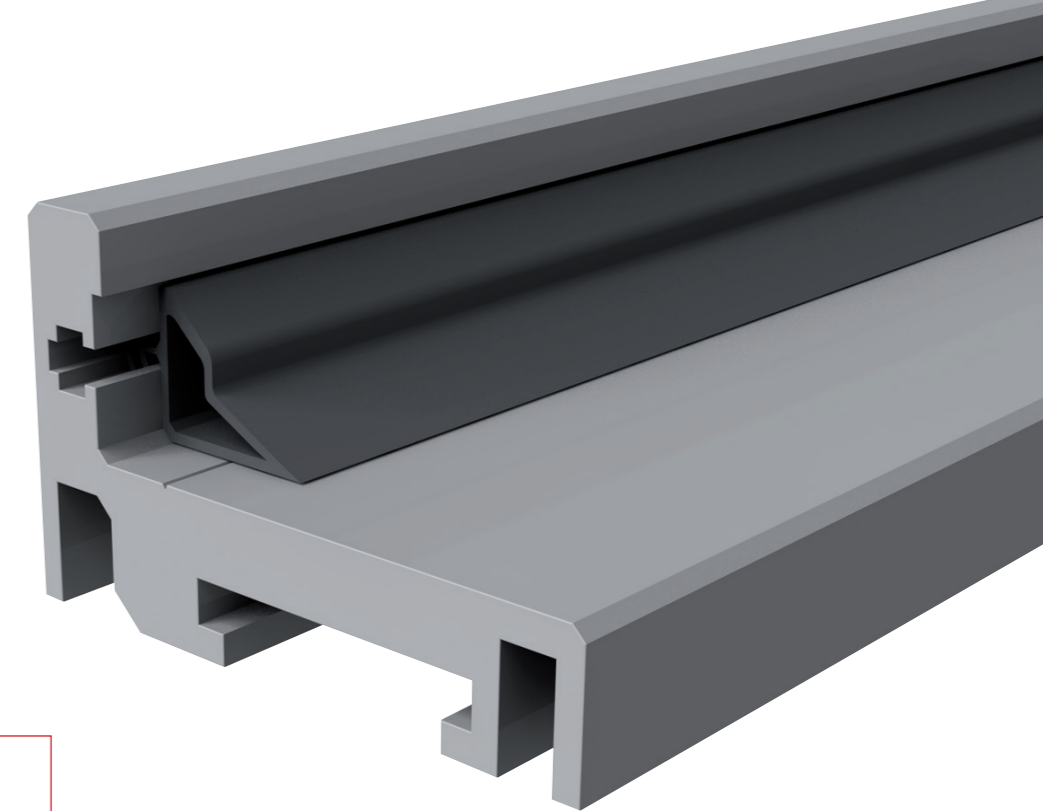
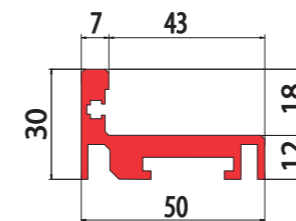
IG AD 5700

WOODEN DOOR





The aluminum doorframe with minimalistic dimensions and simple design will fit in nicely in any interior.

It is adjustable and may be combined with glass or wooden doors, a transom or a fixed glass panel.



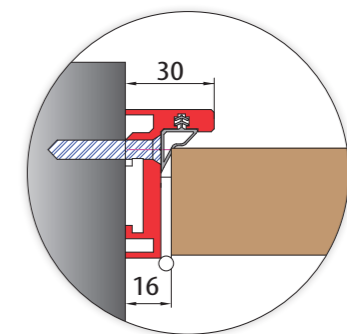
AVAILABLE FINISHES:

-  anodised aluminum
-  matt black

Any nuance of anodisation finished or plasticized aluminum are available as a custom order.

IG AD 5700

Aluminum doorframe
5700 mm



Finishes of hinges and front plates may be adjusted to the desired profile finish.



IG AG ECLIPSE

Concealed hinge, 3D,
regulating, aluminum/wood
matt chrome / black

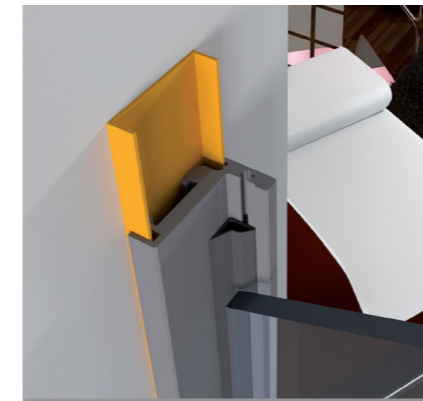
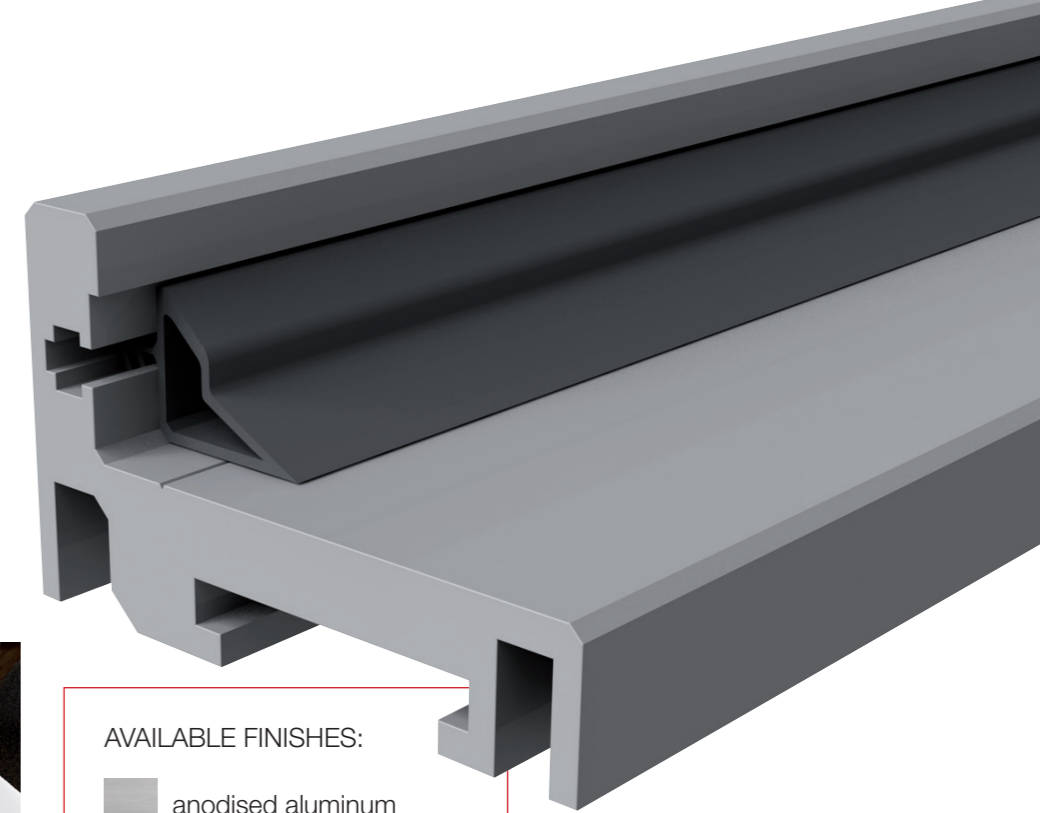
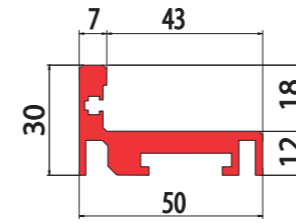
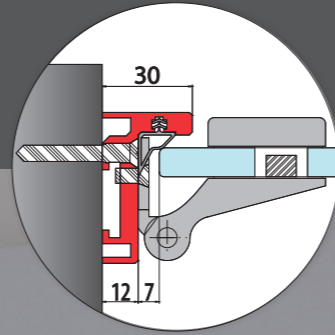


B-FORTY


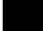
Magnetic door lock with a key/
cylinder/wc

IG AD 5700

GLASS DOOR



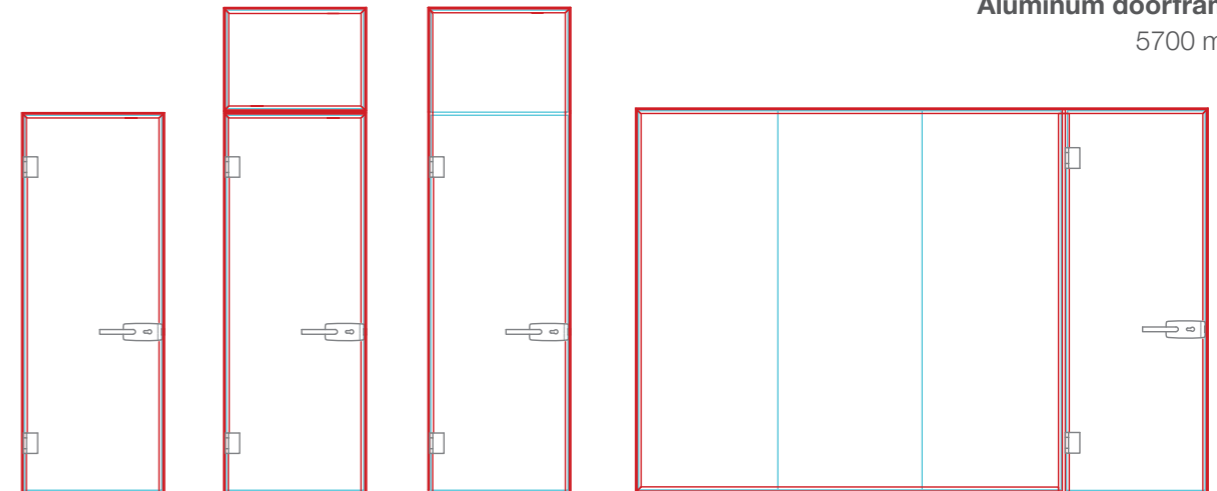
AVAILABLE FINISHES:

-  anodised aluminum
-  matt black

Any nuance of anodisation finished or plasticized aluminum are available as a custom order.

IG AD 5700

Aluminum doorframe
5700 mm



5700 aluminum doorframe may be used as a frame for glass-framed doors, as well a door-frame for fixed or wooden partitions, both in residential and business premises.

It may be installed to the fixed glass next to or above the door, as well as to the fixed glass above the door with or without the horizontal beam. Besides the classic glass, insulated glass or acoustic panels may be used.

Finishes of hinges and the aluminum lock cover may be adjusted to the desired profile finish.



SA CU01-1
Aluminum/glass hinge
aluminum / black



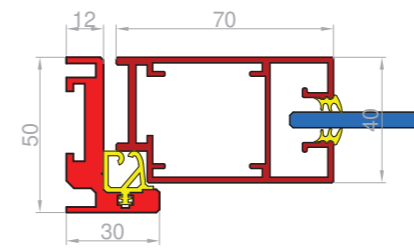
SA CU01-87A-19B
Door lock
aluminum / black

IG AD 5700

ALUMINUM FRAME



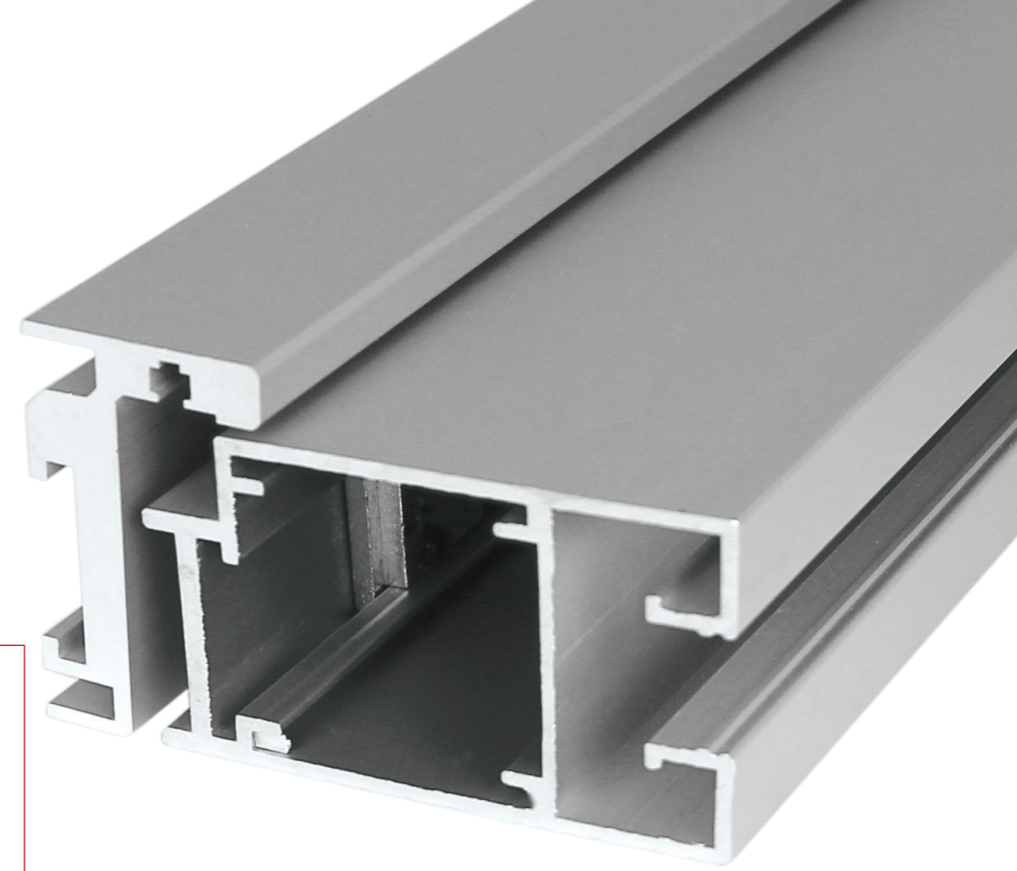
A frame of a framed-glass door combined with the 5700 doorframe enables the installation of concealed hinges, magnetic lock, and even a LED light strip of the ambient light, as an option.



AVAILABLE FINISHES:

- anodised aluminum
- matt black

Any nuance of anodisation finished or plasticized aluminum are available as a custom order.



IG AD 5700 + IG AO

Aluminum doorframe + Aluminum frame
AD profile - 5700 mm | AO profile - 3150 mm



Finishes of hinges and front lock plates may be adjusted to the desired profile finish.



IG AG ECLIPSE
Concealed hinge, 3D,
regulating, aluminum/wood
matt chrome / black



NB 6908
Electrical
connector*



B-FIVE
Aluminum door
magnetic lock

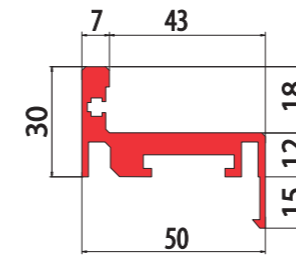
* If a doorframe with LED light is ordered, the order must also include an electrical connector, a LED light strip with a transformer and even a potentiometer switch.

IG AD 5700 "Z"

WOODEN DOOR



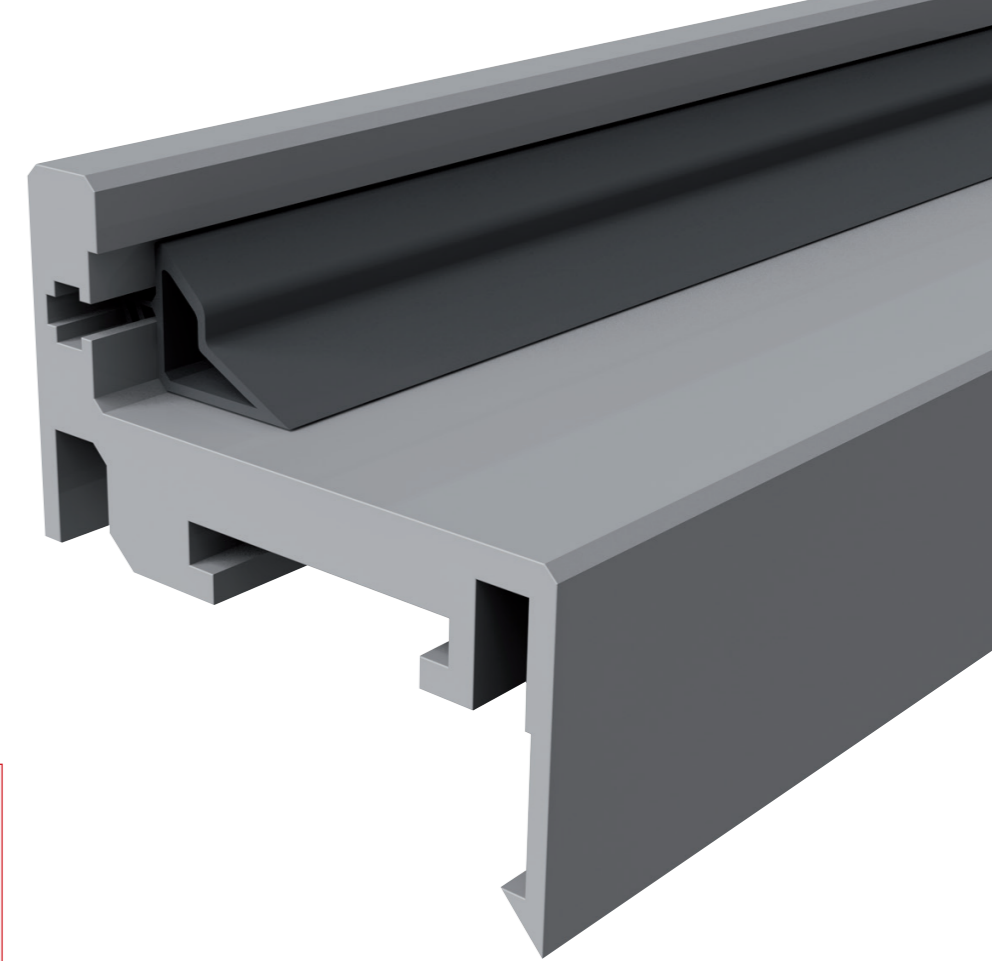
The "Z" type doorframe is a variation of the 5700 module. This type is recommended if the door is installed at the interior or exterior side of the wall.



AVAILABLE FINISHES:

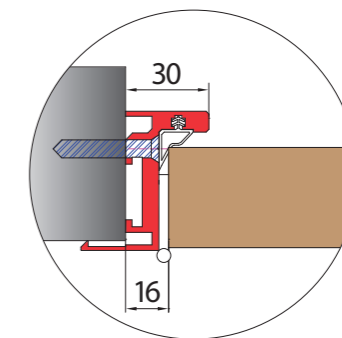
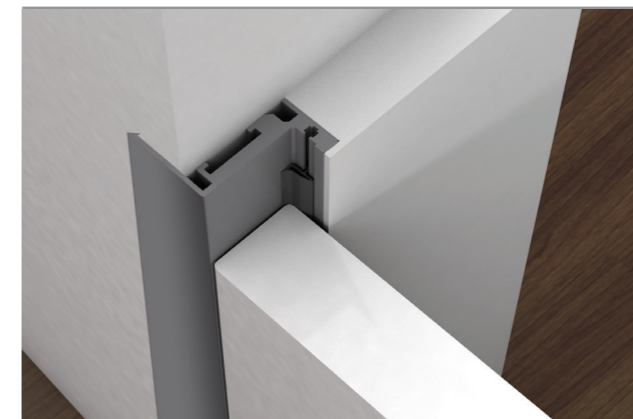
-  anodised aluminum
-  matt black

Any nuance of anodisation finished or plasticized aluminum are available as a custom order.



IG AD 5700 "Z"

Aluminum doorframe
5700 mm



Installation on the wooden door with a concealed hinge.
Finishes of hinges and front lock plates may be adjusted to the desired profile finish.



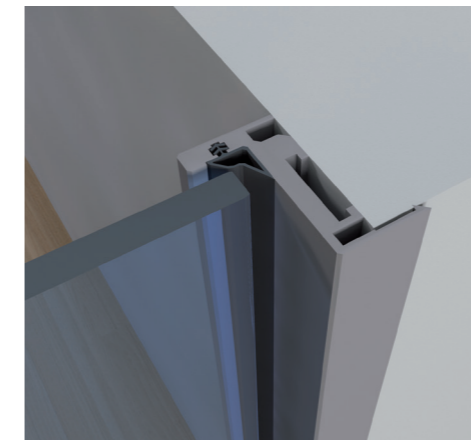
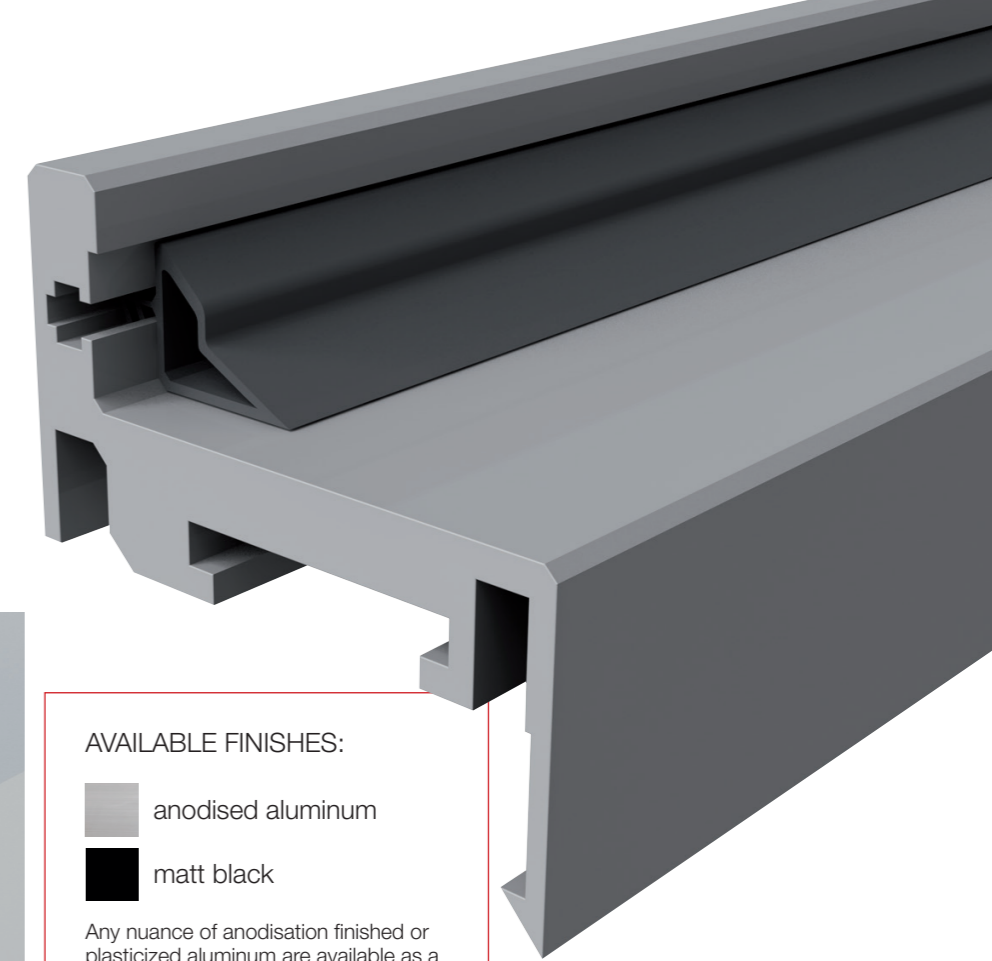
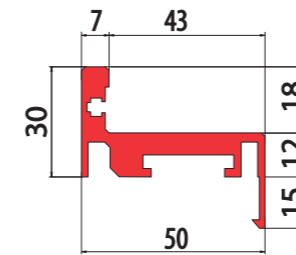
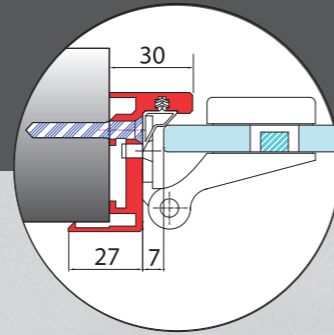
IG AG ECLIPSE
Concealed hinge, 3D,
regulating, aluminum/wood
matt chrome / black





B-FORTY
Magnetic door lock with a key/
cylinder/wc

IG AD 5700 "Z"

GLASS DOOR



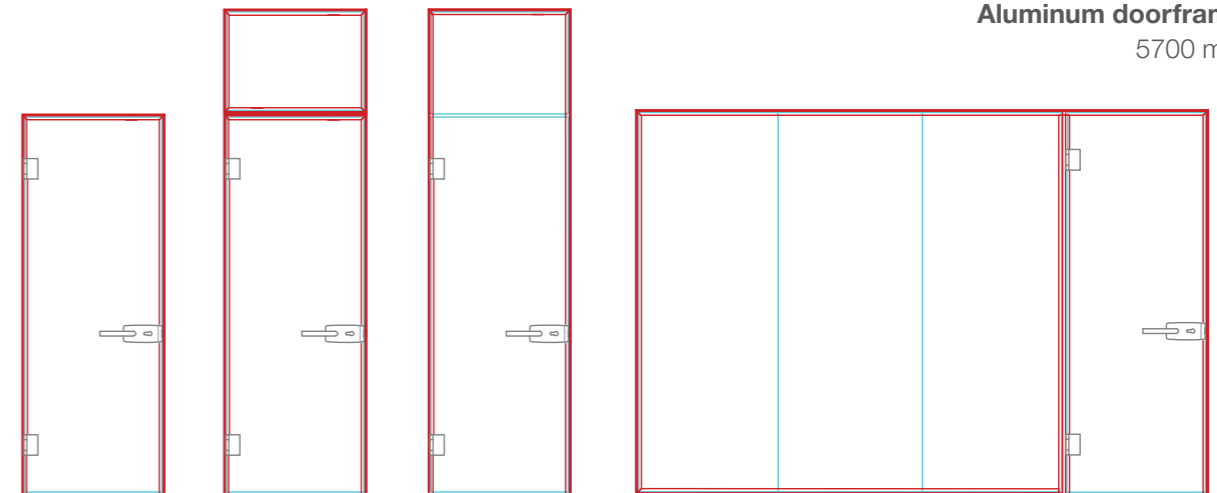
AVAILABLE FINISHES:

-  anodised aluminum
-  matt black

Any nuance of anodisation finished or plasticized aluminum are available as a custom order.

IG AD 5700 "Z"

Aluminum doorframe
5700 mm



The "Z" type doorframe is recommended when the door is installed at the interior or exterior side of the wall.

It can help cover imperfections of the wall edge, and the connection between the wall and the doorframe need not to be additionally treated.

It may be installed to the fixed glass next to or above the door, as well as to the fixed glass above the door with or without the horizontal beam. Besides the classic glass, insulated glass or acoustic panels may be used.

Finishes of hinges and the aluminum lock cover may be adjusted to the desired profile finish.



SA CU01-1
Aluminum/glass hinge
aluminum / black



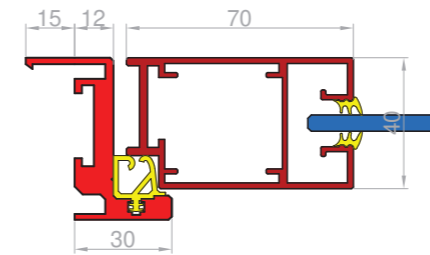
SA CU01-87A-19B
Door lock
aluminum / black

IG AD 5700 "Z"

ALUMINUM FRAME



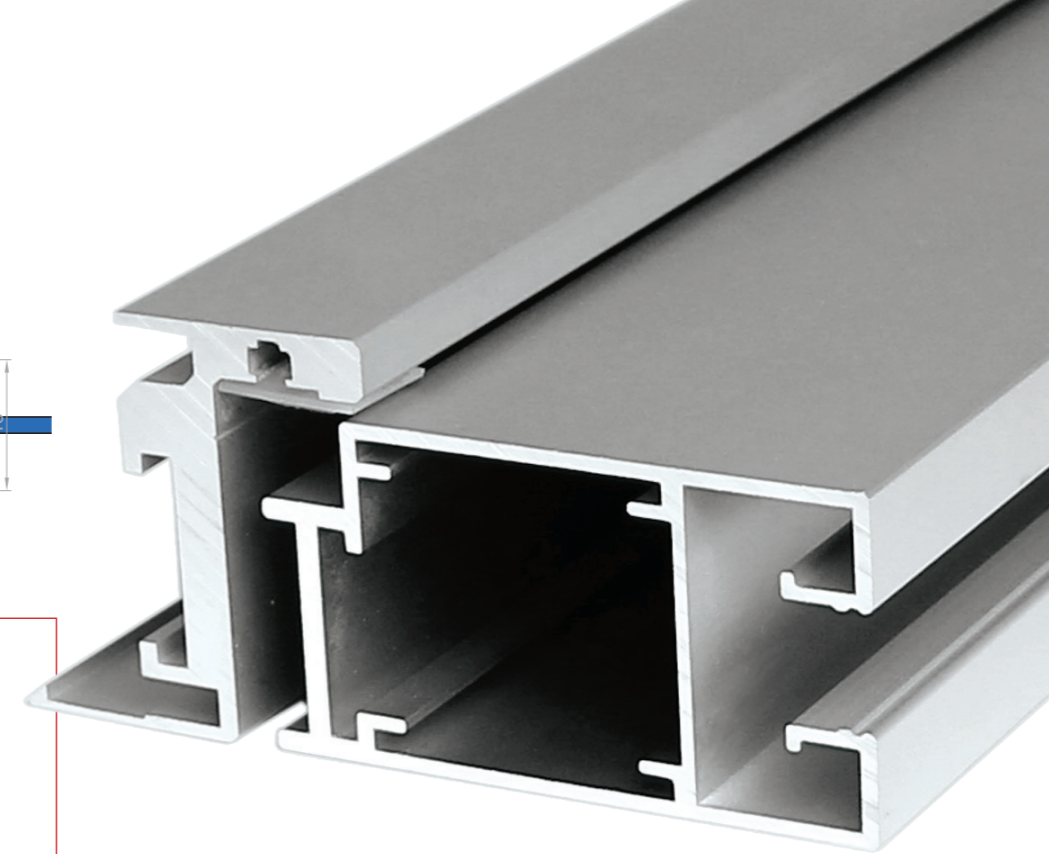
The frame of a framed-glass door combined with the 5700 doorframe enables the installation of concealed hinges, magnetic lock, and even a LED light strip of the ambient light, as an option. Since this is a version of the doorframe with an "extension", it is recommended for the installation at the interior or exterior side of the wall, since it can help cover wall i.e. door opening finishing imperfections.



AVAILABLE FINISHES:

- anodised aluminum
- matt black

Any nuance of anodisation finished or plasticized aluminum are available as a custom order.



IG AD 5700 "Z" + IG AO

Aluminum doorframe + Aluminum frame
AD profile - 5700 mm | AO profile - 3150 mm



Finishes of hinges and front lock plates may be adjusted to the desired profile finish.



IG AG ECLIPSE
Concealed hinge, 3D,
regulating, aluminum/wood
matt chrome / black



NB 6908
Electrical
connector*



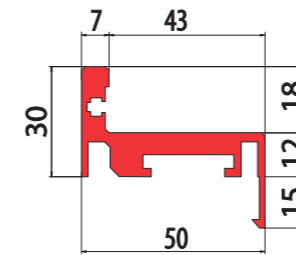
B-FIVE
Aluminum door
magnetic lock

* If a doorframe with LED light is ordered, the order must also include an electrical connector, a LED light strip with a transformer and even a potentiometer switch.



IG AD 5700 "Z"

FIXED GLASS

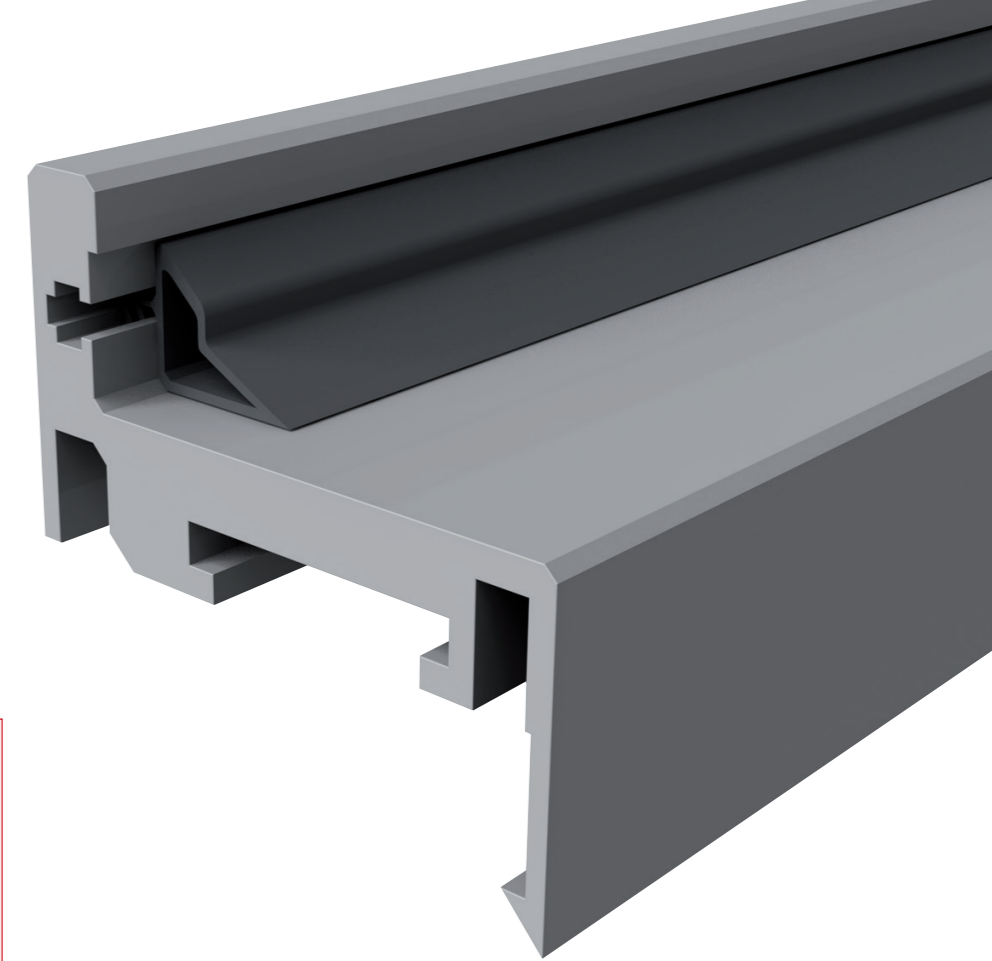
5700 "Z" model is suitable for fixed partitions with or without doors when the partition is installed at the interior or exterior side of the wall.*



AVAILABLE FINISHES:

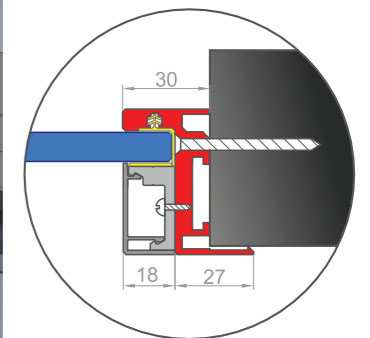
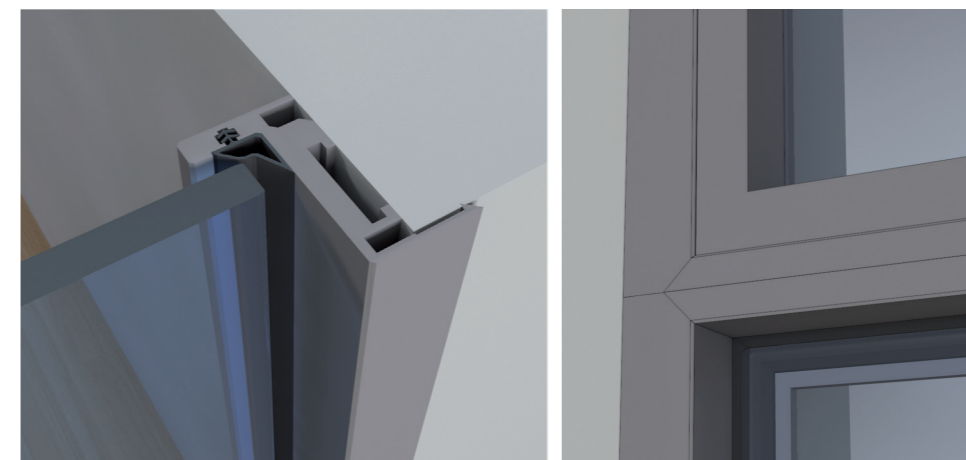
-  anodised aluminum
-  matt black

Any nuance of anodisation finished or plasticized aluminum are available as a custom order.

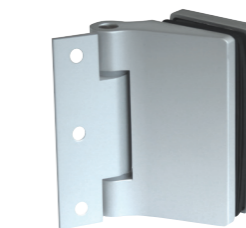


IG AD 5700 "Z"

Aluminum doorframe
5700 mm



Finishes of hinges and the aluminum lock cover may be adjusted to the desired profile finish.



SA CU01-1

Aluminum/glass hinge
aluminum / black



SA CU01-87A-19B

Door lock
aluminum / black

* In this case, 5700 "Z" model is combined with the 5700 model.



IG AD 5700 "T"

DOOR/PARTITION

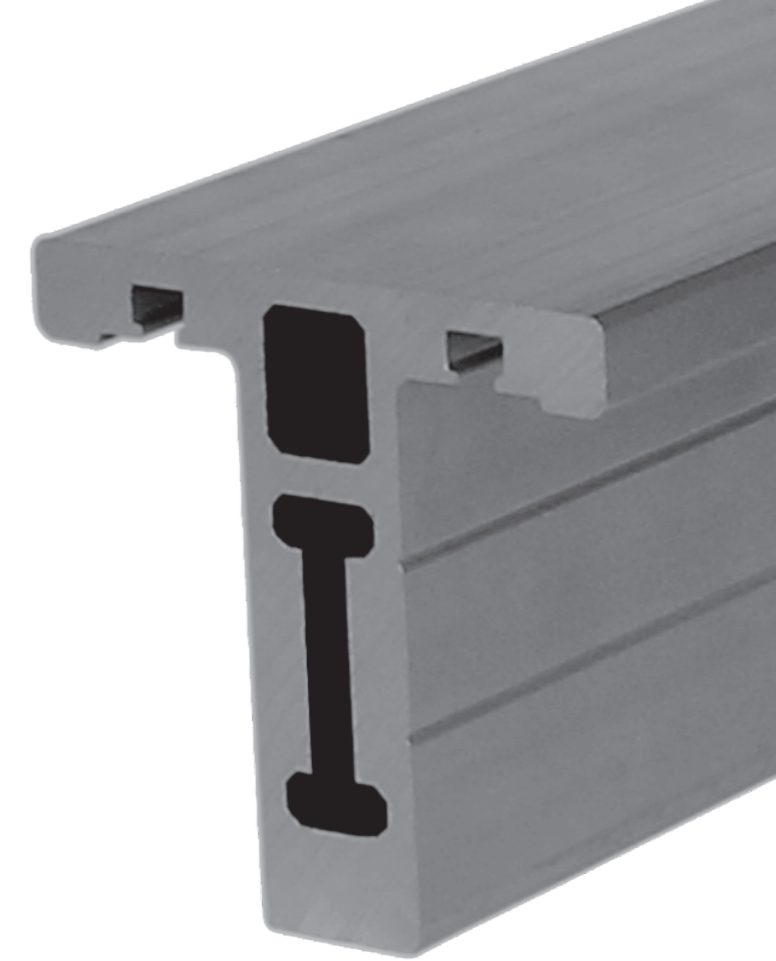
A doorframe from the 5700 range that may serve as both a doorframe for glass door and a profile for a fixed glass partition. It can be combined with other products of the 5700 range, but also with our other profiles such as IG AD 5700 klik.*



AVAILABLE FINISHES:

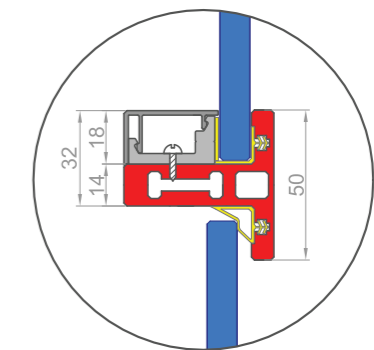
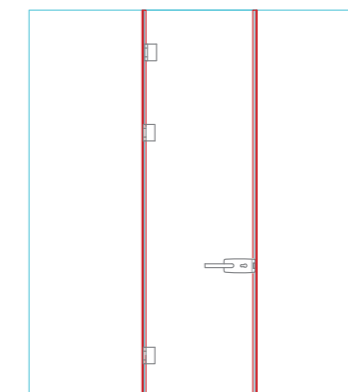
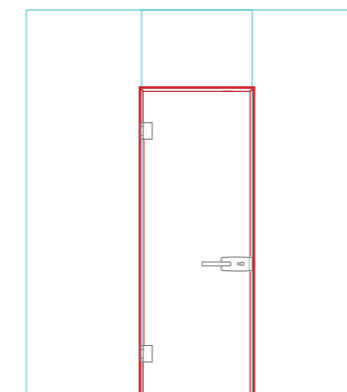
-  anodised aluminum
-  matt black

Any nuance of anodisation finished or plasticized aluminum are available as a custom order.



IG AD 5700 "T"

Aluminum doorframe
5700 mm

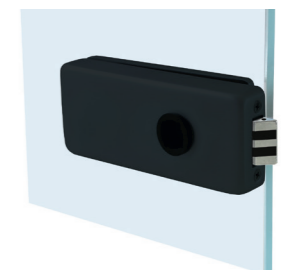


Finishes of hinges and the aluminum lock cover may be adjusted to the desired profile finish.



SA CU01-1

Aluminum/glass hinge
matt black / AN



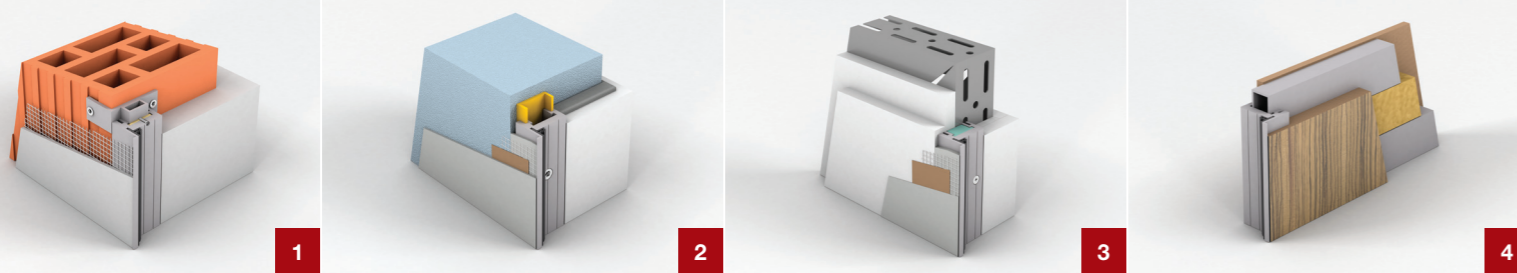
SA CU01-87A-19B

Door lock
matt black / AN

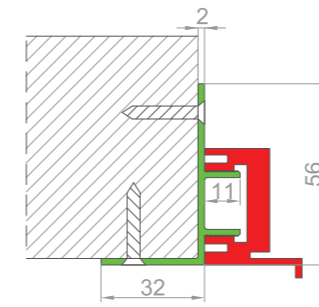
* The aluminum frame (AO profile) for glass door may also be used in combination with IG AD 5700 "T".

INVISIBLE



WOODEN DOOR



The Invisible doorframe for wooden or glass door. Firm and elegant. Intended for the installation on walls of any type and thickness. After the installation and finishing of the wall, the jamb becomes almost invisible from the outside. Concealed hinges and magnetic lock on wooden doors make them quiet and elegant.



AVAILABLE FINISHES:

-  anodised aluminum
-  matt black

Any nuance of anodisation finished or plasticized aluminum are available as a custom order.



IG AD 5700 INVISIBLE

Aluminum doorframe
5700 mm

1 BRICK WALL INSTALLATION

The doorframe construction enables several modes of installation by means of screws, connection fittings and slow expanding foam. Optionally, a special "U" subprofile can be used that enables fine levelling of the jamb angle.

2 SIPOREX WALL INSTALLATION

Use on the aerated concrete is also possible.

3 DRYWALL INSTALLATION

The use of a wall bandage net with spackle and paper bandage tape in the final layer secures a firm and durable wall finishing without visible connections.

4 MDF AND VENEERED PANEL INSTALLATION

Small dimensions of the doorframe make it suitable even for thinner partitions (e.g. in mobile residential units).

Finishes of hinges and front plates may be adjusted to the desired profile finish.



IG AG ECLIPSE
Concealed hinge, 3D, regulating, aluminum/wood
matt chrome / black



BO DM1
Magnetic strike plate
82 x 22 mm



CM 12975
Recessed handle, concealed
120x60x18 mm
white/grey



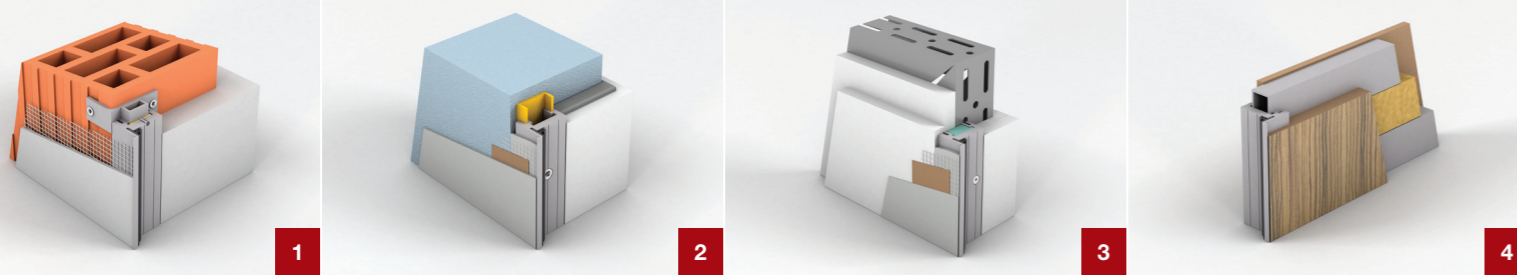
B-FORTY
Magnetic door lock with a key/cylinder/wc



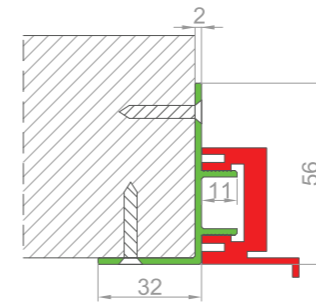
F 1317/215
Door handle
aluminum

INVISIBLE

GLASS DOOR



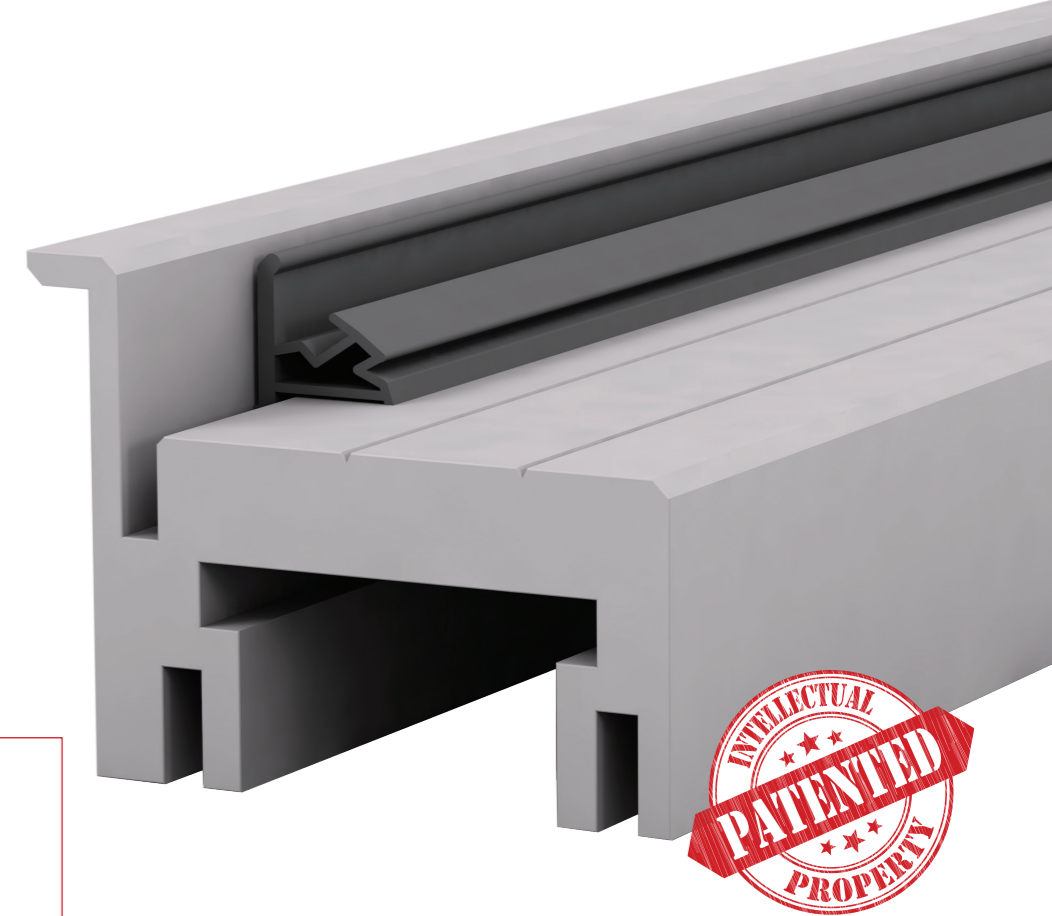
The Invisible doorframe for wooden or glass door. Firm and elegant. Intended for the installation on walls of any type and thickness. After the installation and finishing of the wall, the jamb becomes fully invisible from the outside.



AVAILABLE FINISHES:

- anodised aluminum
- matt black

Any nuance of anodisation finished or plasticized aluminum are available as a custom order.



IG AD 5700 INVISIBLE

Aluminum doorframe
5700 mm

1 BRICK WALL INSTALLATION

The doorframe construction enables several modes of installation by means of screws, connection fittings and slow expanding foam. Optionally, a special "U" subprofile can be used that enables fine levelling of the jamb angle.

2 SIPOREX WALL INSTALLATION

Use on the aerated concrete is also possible.

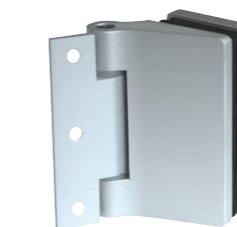
3 DRYWALL INSTALLATION

The use of a wall bandage net with spackle and paper bandage tape in the final layer secures a firm and durable wall finishing without visible connections.

4 MDF AND VENEERED PANEL INSTALLATION

Small dimensions of the doorframe make it suitable even for thinner partitions (e.g. in mobile residential units).

Finishes of hinges and the aluminum lock cover may be adjusted to the desired profile finish.



SA CU01-1

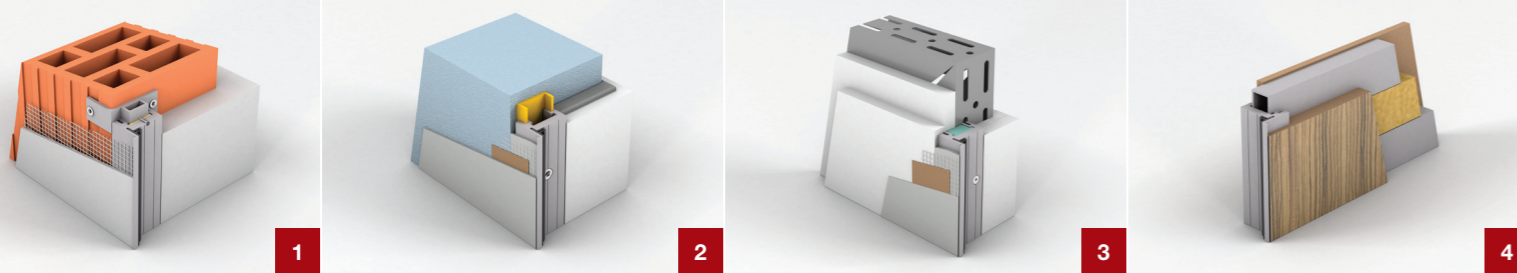
Aluminum/glass hinge
aluminum / black

SA CU01-87A-19B

Door lock
aluminum / black

INVISIBLE

ALUMINUM FRAME



1 BRICK WALL INSTALLATION

The doorframe construction enables several modes of installation by means of screws, connection fittings and slow expanding foam. Optionally, a special "U" subprofile can be used that enables fine levelling of the jamb angle.

2 SIPOREX WALL INSTALLATION

Use on the aerated concrete is also possible.

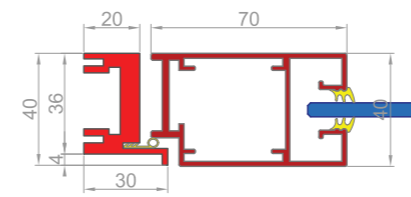
3 DRYWALL INSTALLATION

The use of a wall bandage net with spackle and paper bandage tape in the final layer secures a firm and durable wall finishing without visible connections.



4 MDF AND VENEERED PANEL INSTALLATION

Small dimensions of the doorframe make it suitable even for thinner partitions (e.g. in mobile residential units).

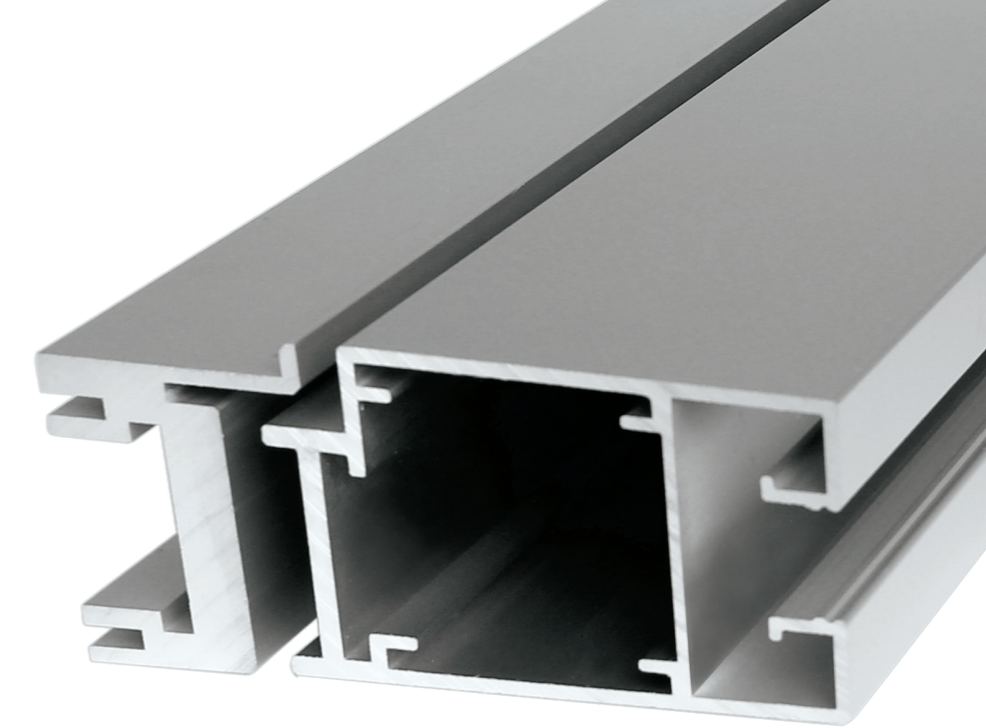
The Invisible doorframe is fully compatible with the aluminum frame for a glass door. The doorframe may be installed on walls of any type and thickness, and it fully blends in with the wall after finishing it. The aluminum frame for glass doors (IG AO) with concealed hinges secures pure lines and minimalistic design of the door.



AVAILABLE FINISHES:

-  anodised aluminum
-  matt black

Any nuance of anodisation finished or plasticized aluminum are available as a custom order.



IG AD 5700 INVISIBLE + IG AO

Aluminum doorframe + Aluminum frame
AD profile - 5700 mm | AO profile - 3150 mm



Finishes of hinges and front lock plates may be adjusted to the desired profile finish.



IG AG ECLIPSE
Concealed hinge, 3D,
regulating, aluminum/wood
matt chrome / black



NB 6908
Electrical
connector*



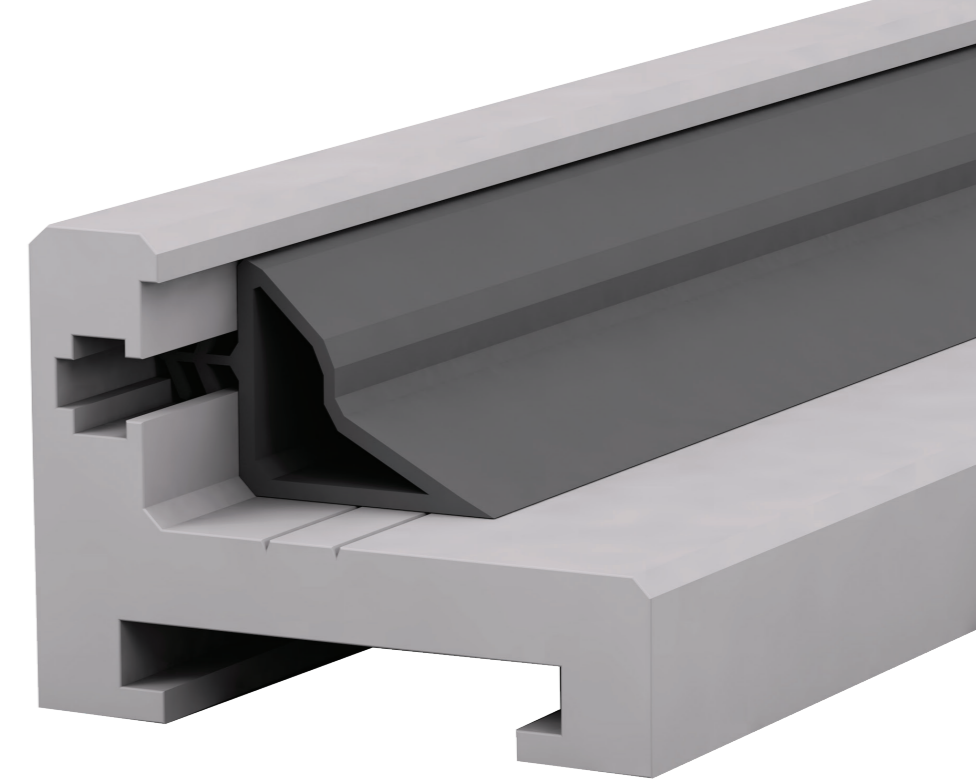
B-FIVE
Aluminum door
magnetic lock

* If a doorframe with LED light is ordered, the order must also include an electrical connector, a LED light strip with a transformer and even a potentiometer switch.


MINI

GLASS DOOR

A doorframe for a glass door with additionally reduced dimensions. Its 35 mm width contributes to its elegance and minimalism, but still maintaining the firm construction.



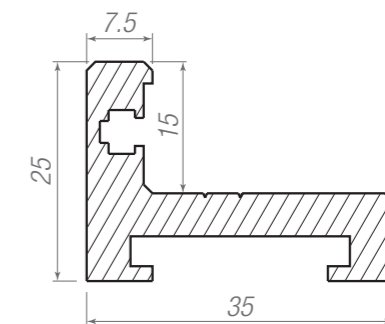
AVAILABLE FINISHES:

-  anodised aluminum
-  matt black

Any nuance of anodisation finished or plasticized aluminum are available as a custom order.

IG AD 5700 MINI

Aluminum doorframe
5700 mm



Finishes of hinges and the aluminum lock cover may be adjusted to the desired profile finish.



SA CU01-1
Aluminum/glass hinge
aluminum / black



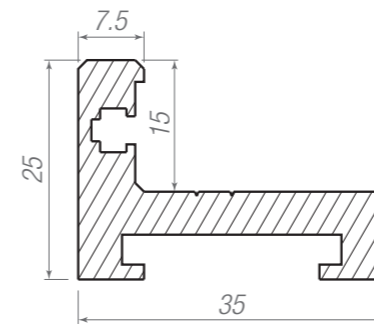
SA CU01-87A-19B
Door lock
aluminum / black

MINI



FIXED GLASS



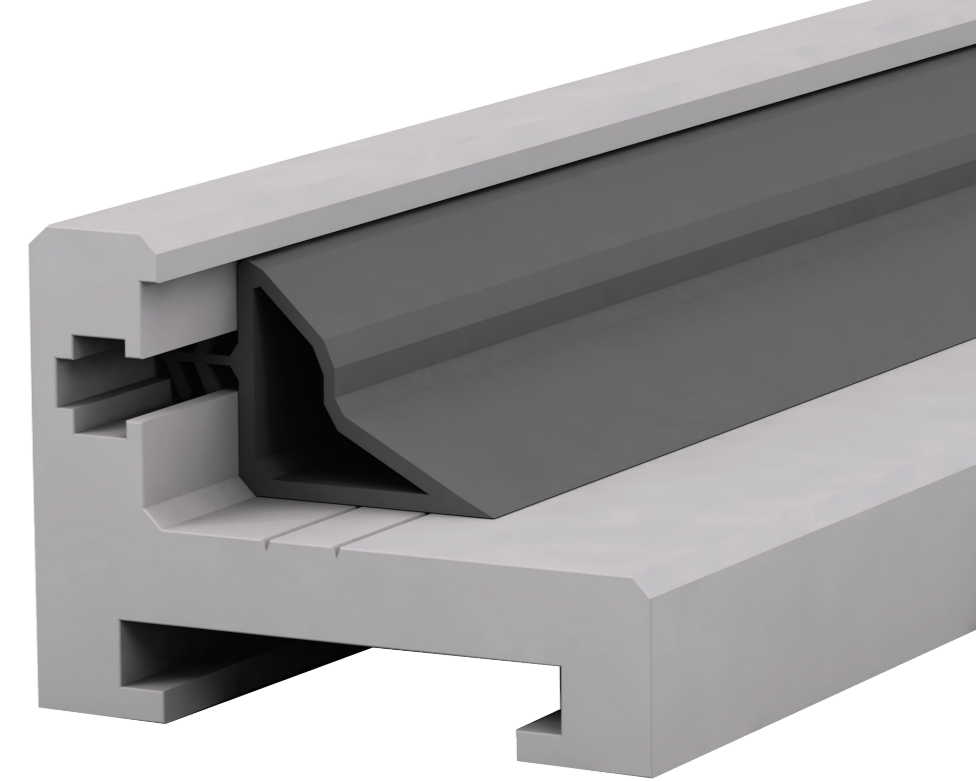
A variation of the mini doorframe. The same profile is used to make a frame for a fixed glass panel by means of a stile.



AVAILABLE FINISHES:

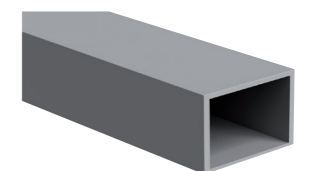
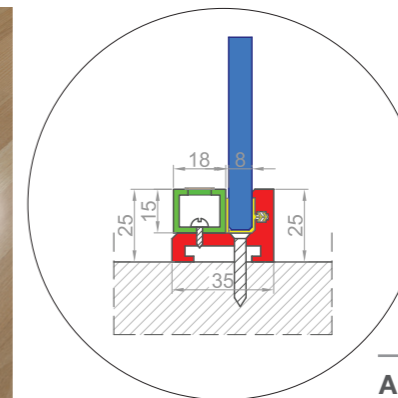
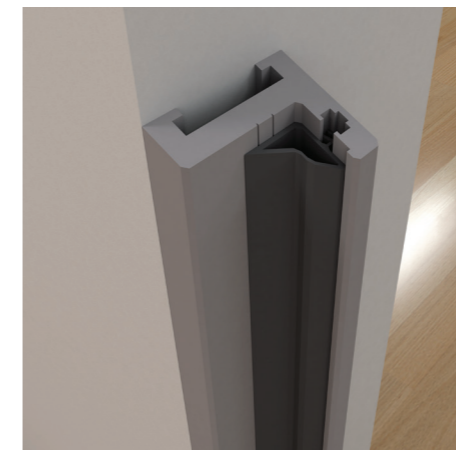
-  anodised aluminum
-  matt black

Any nuance of anodisation finished or plasticized aluminum are available as a custom order.



IG AD 5700 MINI

Aluminum doorframe
5700 mm

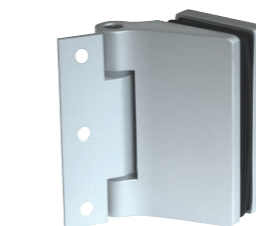


IG AD PROFILE 18x15x2mm

A profile for a transom or fixed panel
2 m; 3 m; 3.5 m; 4 m

AN / black

Finishes of hinges and the aluminum lock cover may be adjusted to the desired profile finish.



SA CU01-1

Aluminum/glass hinge
aluminum / black



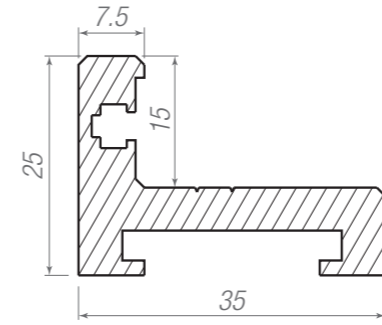
SA CU01-87A-19B

Door lock
aluminum / black

MINI FRAME



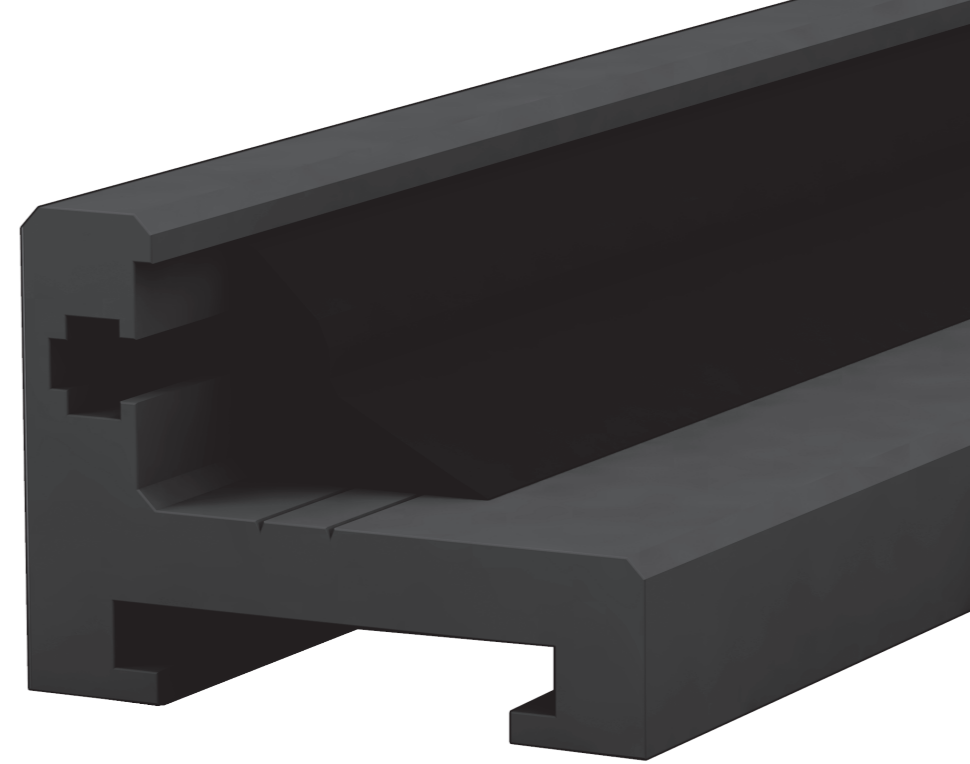
The mini profile represents a basis for glass doors (single or double hinged door) with decorative rails.



AVAILABLE FINISHES:

- anodised aluminum
- matt black

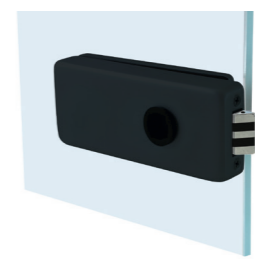
Any nuance of anodisation finished or plasticized aluminum are available as a custom order.



IG AD 5700 MINI

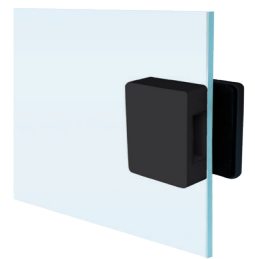


Aluminum doorframe
5700 mm



SA CU01-87A-19B

Door lock
matt black / AN



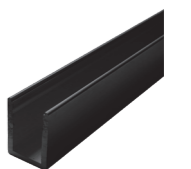
SA CU01-87A-21

Latch strike plate for SA CU locks
matt black / AN



LB 1609/L2/3m

Decorative self-adhesive profile
20 x 3000 mm



IG UP U-PROFILE

U-profile
3000 mm
aluminum polished / aluminum matt | glossy black / matt black



SA CU01-1

Aluminum/glass hinge
matt black / AN



SA 7123 C

Latch, lower mat
matt black / inox SAT



SA 7124

Latch strike plate
matt black / inox SAT

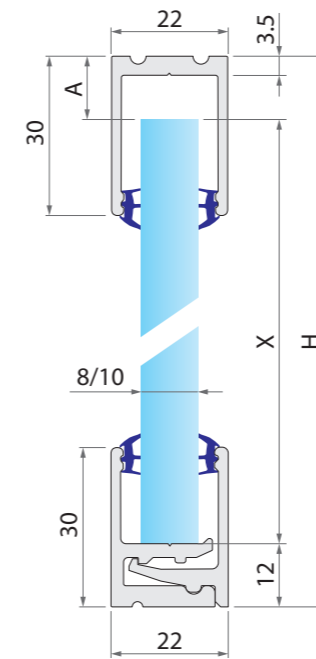
Finishes of hinges and the aluminum lock cover may be adjusted to the desired profile finish.

KLIK

GLASS PARTITIONS



An elegant system of profiles for fixed glass partitions. Its main features are high bearing capacity and easy installation.



$$A = \text{cca } 13$$


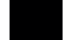
$$X = H - 12 - A$$



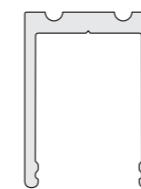
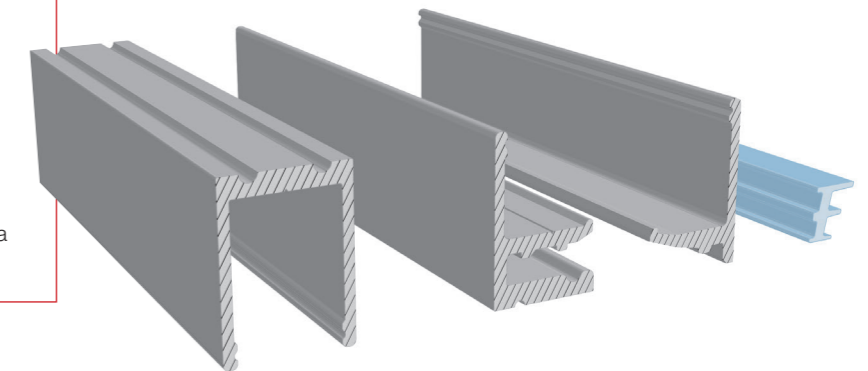
IG AD 5700 KLIK

Aluminum doorframe
5700 mm

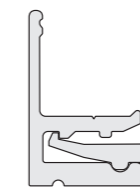
AVAILABLE FINISHES:

-  anodised aluminum
-  matt black

Any nuance of anodisation finished or plasticized aluminum are available as a custom order.



IG AP G 6000
Aluminum U profile,
upper



IG AP D 6000
Aluminum U profile,
lower
(two-part)



IG AP K
Side lid

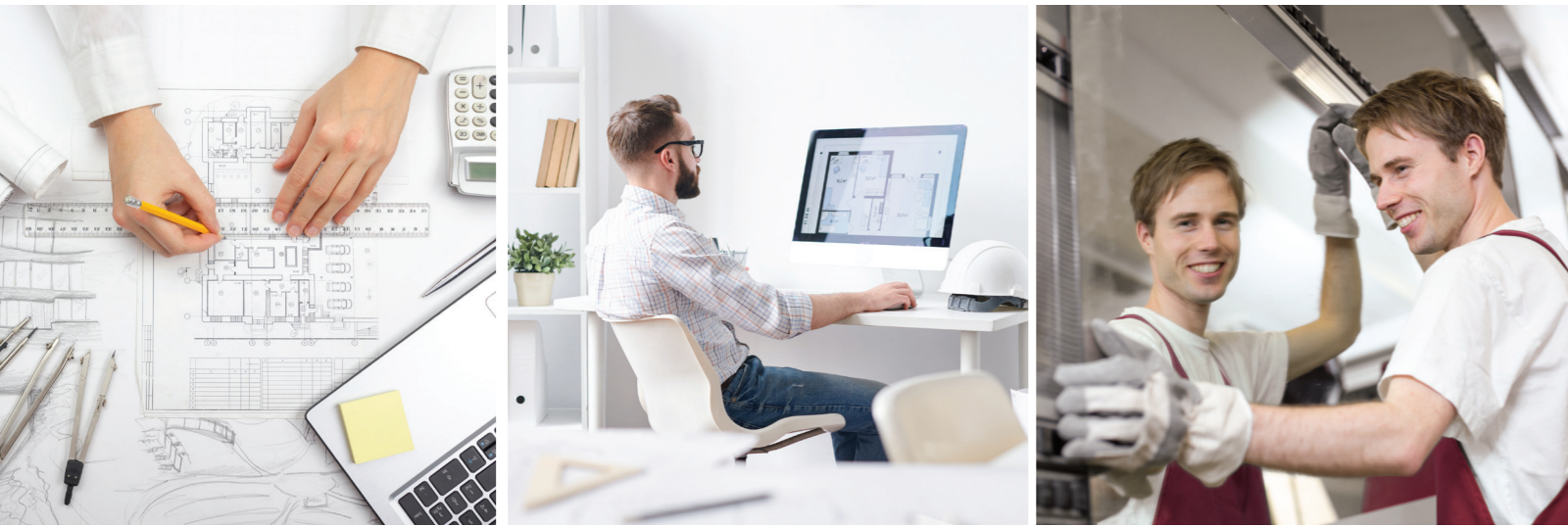


IG AP B 8/10
Gasket
for glass 8/10 mm
black / transparent

Note: Maximum length: 6000 mm. The profiles are sold cut into 2/3/4/6 m pieces. The gasket is sold by the meter.

INTERFOM

ABOUT US



Interfom is an umbrella brand of the Fom Company specialised for distribution of the door equipment and furniture.

The daily tasks of the Interfom team include consultations and design of specific solutions using the specialised technical programs and conceptual design using interior design software programs.

REFERENCES:

- Westgate Business Towers (Split)
- Euroherc (Karlovac)
- PPD (Vukovar)
- Agram (Zagreb)
- Red Coral Cavtat (Cavtat)
- Girandella Resort Valamar (Rabac)
- Hotel Aristos (Zagreb)
- Hotel Central (Zagreb)
- Hotel Kanajt (Krk)
- Hotel Riksos (Dubrovnik)
- Hotel Lero (Dubrovnik)
- Hotel Nimfa (Živogošće)
- Hotel Park (Dubrovnik)
- Polyclinic Glavić (Zagreb)
- Polyclinic Maletić (Zagreb)
- Polyclinic Brayer (Novi Zagreb)
- Polyclinic Knezović (Zagreb)
- Polyclinic Glavić (Dubrovnik)
- Pharmacy Farmacia (Zagreb)
- Pharmacy Lipa (Zagreb)
- Mark Medical (Zagreb)
- Dental Center Štimac (Zagreb)
- Museum Pitve (Hvar)
- OTP Bank (Split)
- Belje wine cellar (Darda)
- Atlas d.d. (Zagreb)



interfom

AUTHOR

FOM d.o.o. | Interfom Showroom

Kovinska 27 | 10090 Zagreb

T: +385 1 639 77 22, +385 1 639 77 19 | F: +385 1 349 83 12

info@interfom.hr | www.interfom.hr

